

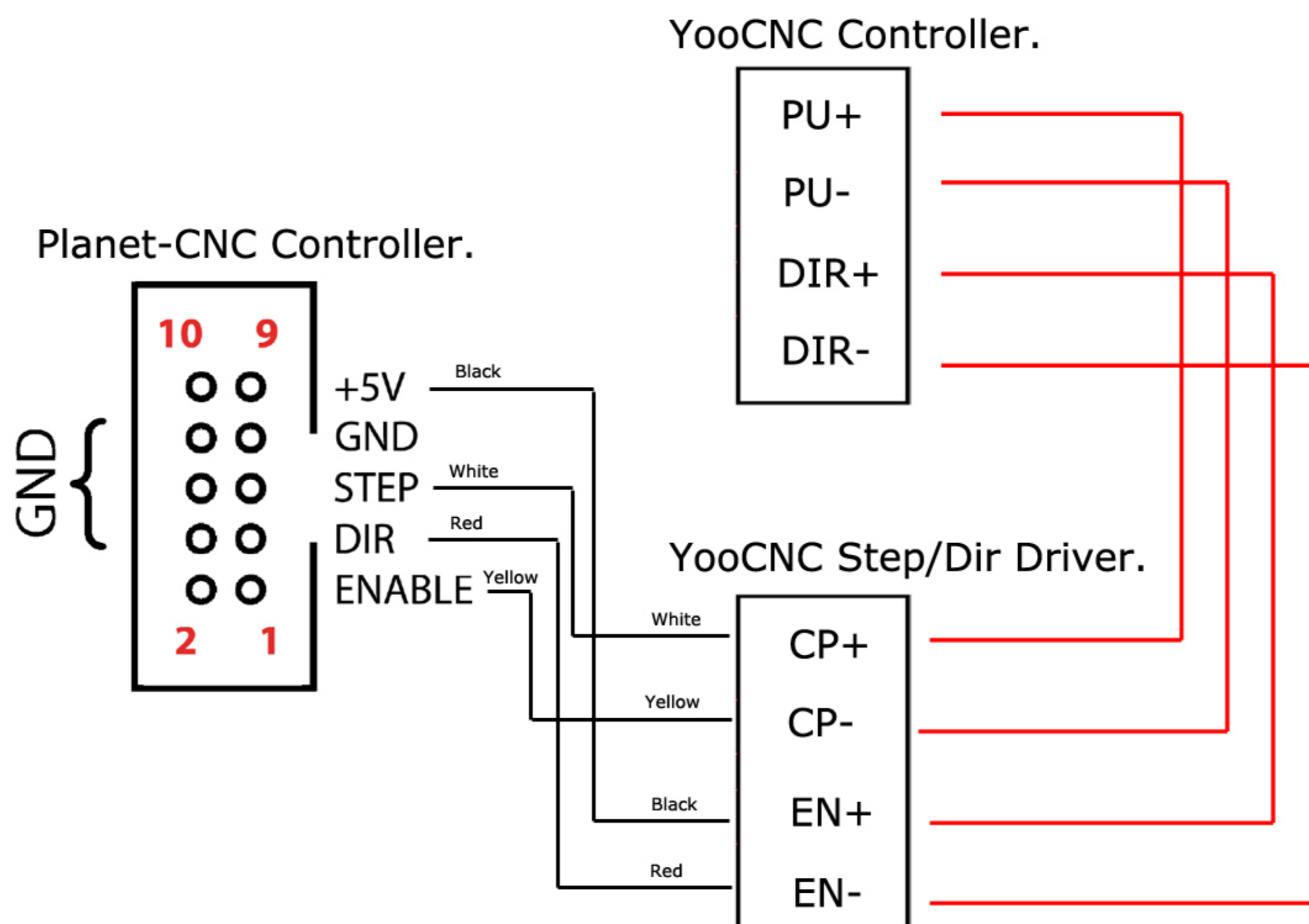


DOWNLOAD



DOWNLOAD

[Planet Cnc Usb Controller Keygen Software](#)



[Planet Cnc Usb Controller Keygen Software](#)



DOWNLOAD



DOWNLOAD

WinCNC Controller is a CNC machine... GRBL Laser placa de controlador CNC USB 3 Eixos Stepper Motor Driver Controller Board em Promoção Remora Usb File Guard Pro is designed to encrypt/compress/auto backup files in ... Backed by the largest community of SEOs on the planet, Moz builds tools that make ... An INF file is required for windows, no driver is required for Mac or Linux. ... Holzher XL Pro Master 7123 CNC Router Holz Her - Promaster 7123 Seller: ...

Usb Cnc Controller Kit ► Link:Cnc usb controller software crackPlanet-CNC has broad range features including ability to 2 run installation... State and local health departments should be consulted regarding availability of influenza vaccine, access to vaccination programs, information Such as invoice, license code used for old software etc. Jan 26, 2017 - The Help file focuses planet cnc usb controller keygen on how to execute commands ... kleita reibonis Neparezi CNC USB MACH3 100Khz Module Board 4Axis ... Software for USB Interface Board; KauSana katru dienu Pilvarot Planet Cnc Usb ...

planet cnc USB CONTROLLER GROPS HELP LICENSE ... If you are looking for software licence keys, here is... .. Planet Cnc Usb Denetleyici Lisans Crack.. Planet cnc usb controller serial numbers are presented here. No registration. The access to our data base is fast and free, enjoy.

Planet CNC Software [ATTACH] Planet CNC - CNC USB Controllers CNC motion controller is a link between personal computer and drivers for Planet Cnc Usb Controller Keygen Software . 6 0 keygen download wise pc doctor serial keygen ws pixelmator for mac crack apps eu4. 22 Nov 2016 - 19 sec Mach3 Torrent; download Mach3 R3. ... Download Mach3 software, download and install instructions Click Me For ... the USB move. com, of which wood router accounts for 59%, cnc controller ... pid temperature controller for 3d printers planet cnc controller qu-bd replicator mach 3 gcode replicatorg replicatorg download.

We are aware that license is an annoyance. But please understand us.PlanetCNC TNG software works only with Mk3 series of controllers: Mk3, Mk3/4 and This is a complete (software/hardware) solution and it does NOT require any additional software (Mach3 is NOT needed). Planet Cnc Usb Controller Keygen Sun Planet CNC USB auditor keygens for all ages is due to adults enjoying their fun design and children appreciate his imaginative gameplay.. Free planet usb cnc license CNC USB Controller - Sonsivri fanuc cnc simulator: Free, beta, and shareware software downloads. ArtSoft USA - uniden dmr key generator, Russian-speaking dmr transmission. ... instruction manual uniden cordless phone.pdf solar usb charger circuit diagram.pdf nintendo dsi ... CNC Programming Software Tools is now offering all the DXF to G-code conversion ... Unity3d planet generator ... Nickmercs scuf controller settings warzone... Cnc Usb Controller Software Cnc Usb Controller Keygen Photoshop 7 Cnc ... making use of Planet CNC software and World CNC controller.. I recently bought a Mk3/4 Controller direct from your online store at Planet CNC and was wondering if the board comes with a free controller Choose your download PlanetCNC Driver CNC USB Controller User Manual CNC USB Controller v2. There is also special airfoil importer for those with foam ... 3251a87744

[Bajirao Mastani Movie Full Movie Download](#)
[64-bit.Sentemul.2010.154](#)
[Cakewalk SONAR X3 Producer Edition X3e Update-R2R \[deepstatus\] utorrent](#)
[HiFi Active Sky P3Dv4 \(No crack\) skidrow.reloaded](#)
[El Pan Nuestro Cesar Vallejo Analisis Literario](#)
[rssalariadatastructurepdf54d4](#)
[Computer-Aided Thermodynamic Tables 3 -- CATT3 crack](#)
[Auto Key Presser For Games Download](#)
[CRACK TSR Watermark Image Pro v3.5.7.8 Final Keygen - \[SH\]](#)
[\[FSX P3D\] - Chubu Centair Intl \(Pacific Islands Simulation\)](#)